

## BS/DIN WAFER BUTTERFLY VALVE

Type: D71XK

Doc No:DS-902-D71XK-01-E-S

### 1.0 PRODUCT OVERVIEW

The wafer butterfly valve is simple, with compact and 90° slewing crane structure, it's mainly used for low pressure pipeline.



#### Dimensions:

1-1/2"(DN40)-12"(DN300)

#### Design Standard:

BS EN 593, DIN EN 593

#### Connection Standard:

EN1092-2

#### Top Flange Standard

ISO 5211

#### Working Pressure:

PN16,PN10

#### Application:

The butterfly valve is an important component of the Waterworks system. The operating temperature range is 0°C-100°C.

#### Material of Matching Products:

##### Sign Off:

Owner: \_\_\_\_\_ Contractor: \_\_\_\_\_ Engineer: \_\_\_\_\_  
Location: \_\_\_\_\_ Date: \_\_\_\_\_ Approved & Date: \_\_\_\_\_

Ductile Iron Adaptor Flange, like MECH type 321G,

Material: EN-GJS-450-10.

Standard: EN 1092-2

**Surface Treatment:**

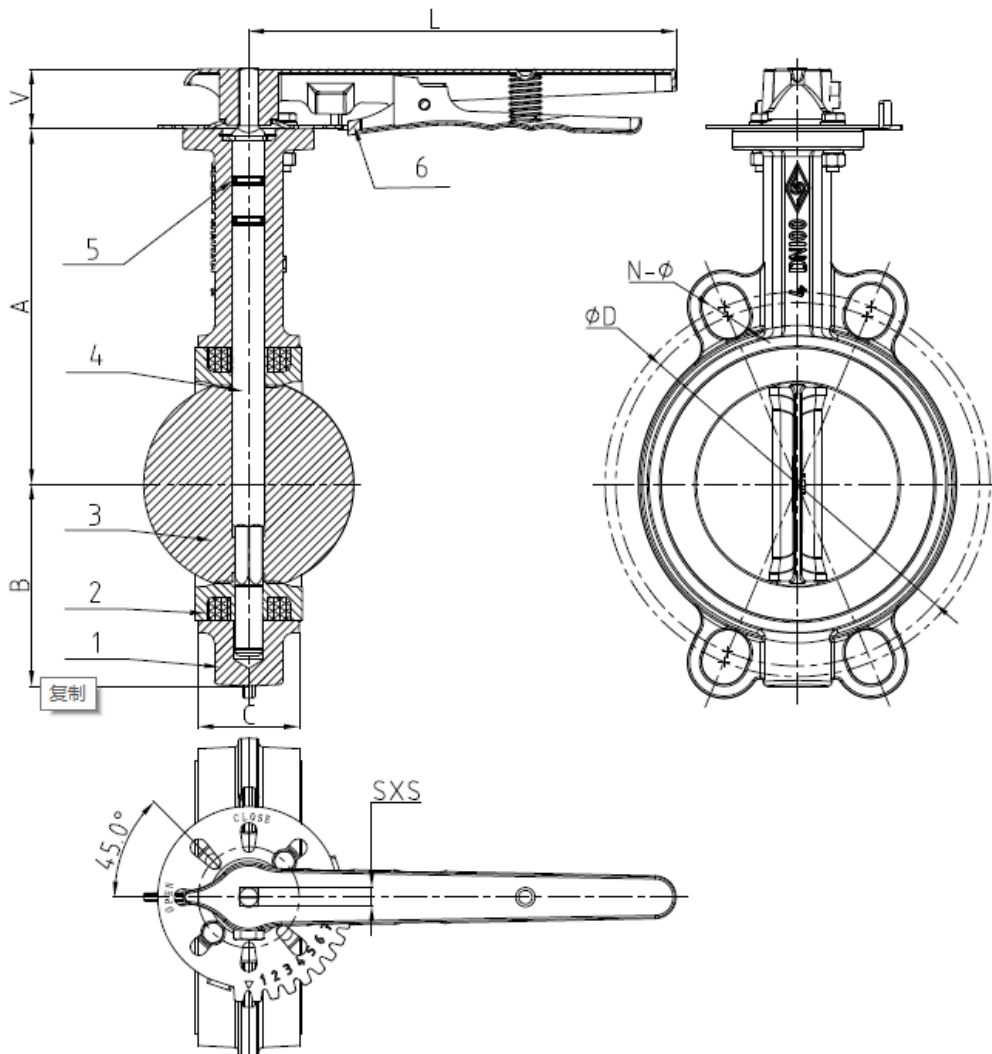
- Epoxy power painting (color numbers as RAL5005, etc)
- Others would be available upon client's detailed request

**2.0 APPROVALS**

NSF/ANSI 61 NSF/ANSI 372 **WRAS/ACS**

**3.0 SPECIFICATIONS**

**Product Sketch:**



**Sign Off:**

Owner: \_\_\_\_\_ Contractor: \_\_\_\_\_ Engineer: \_\_\_\_\_  
 Location: \_\_\_\_\_ Date: \_\_\_\_\_ Approved & Date: \_\_\_\_\_

Part No.	Part	Standard Specification	Options
1	Body	EN-GJS-450-10	
2	Seat	EPDM	NBR,PTFE
3	Disc	EN-GJS-450-10	SS304, SS316,ASTM B148 C95400
4	Stem	SS420	SS304,SS316,SS431
5	O-Ring	NBR	EPDM
6	Lever	Carbon Steel	

## 4.0 DIMENSIONS AND PERFORMANCE

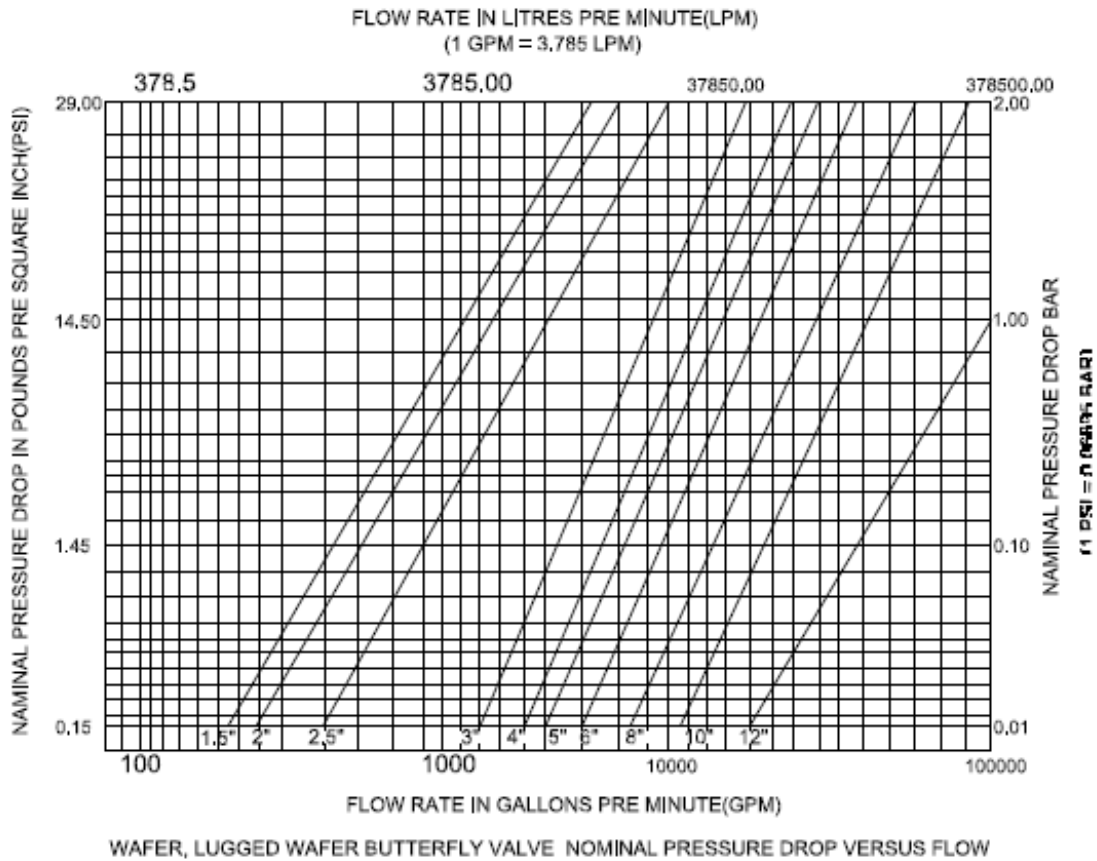
### 4.1 Dimensions

Size		Dimension(mm)								
Inch	mm	A	B	C	D	V	N-Ø	SXS	L	ISO5211
1-1/2	40	138	64.5	33	110	30	4-φ19	9X9	212	F05
2	50	140.5	64.5	43	125	30	4-φ19	9X9	212	F05
2-1/2	65	153	72	46	145	30	4-φ19	9X9	212	F05
3	80	157.5	86	46	160	30	8-φ19	9X9	212	F05
4	100	176	100	52	180	30	8-φ19	9X9	212	F05
5	125	191	112	56	210	30	8-φ19	14X14	256	F07
6	150	202.5	128	56	24	30	8-φ23	14X14	256	F07
8	200	243.5	164	60	295	39	12-φ23	17X17	373	F10
10	250	273	194	68	355	39	12-φ28	22X22	373	F10
12	300	311	223	78	410	39	12-φ28	22X22	373	F10

### 4.2 Flow rates

**Sign Off:**

Owner: \_\_\_\_\_ Contractor: \_\_\_\_\_ Engineer: \_\_\_\_\_  
 Location: \_\_\_\_\_ Date: \_\_\_\_\_ Approved & Date: \_\_\_\_\_



### 4.3 Strength & Cycle Testing

Shell Test: .2.4MPa.

Seal Test: 1.8MPa.

CycleTest:1000 cycles.

### 5.0 REFERENCE MATERIALS

Approved certification for Butterfly Valve

**Sign Off:**

Owner: \_\_\_\_\_ Contractor: \_\_\_\_\_ Engineer: \_\_\_\_\_

Location: \_\_\_\_\_ Date: \_\_\_\_\_ Approved & Date: \_\_\_\_\_