

# SANT VALVES PVT. LTD.

An ISO 9001:2000 Certified Company

## BRONZE SIGHT GLASS

SCREWED

### SPECIFICATIONS

'SANT' Bronze Sight Glass  
Toughened Glass Single Window upto and including 25mm size  
Toughened Glass Double Window for size above 25mm  
Screwed Female (BSPT) Ends  
Suitable for Maximum BOP = 250 Psig

### TESTING & CERTIFICATION

Test Pressures 500 Psig Hyd.

Test Certificate in Form III-C as per IBR is furnished with every supply.

### MATERIALS

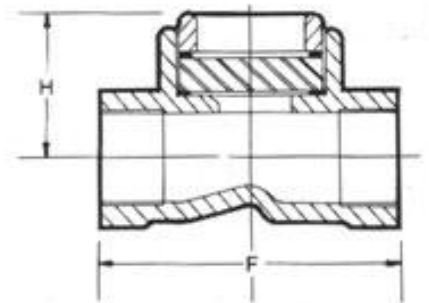
Components	Material	Material Specification
Body & Ring	IBR Bronze Gr.B	IBR 282(a)(iv) Gr.B
Glass	Toughened Glass	BS:3463
Gasket	Compressed Asbestos Fibre	IS:2712 Gr.C

### DIMENSIONS (In mm)

Nominal Size	F	H
15	89	43
20	92	48
25	102	50
32	105	98
40	110	110
50	115	122

SANT

BR 15



### Application

Water	Oil	Gas	Steam
●	●		●

Sant Valves Pvt. Ltd.  
G.T.Road Bye Pass,  
Jalandhar - 144 012  
Punjab. India

Phones : +91-181-5084693/4/5, 2602522, 2603074  
Fax : +91-181-2603308  
Email : svpl@jla.vsnl.net.in  
Web : www.santvalves.com

' For Guaranteed Trouble Free Service '