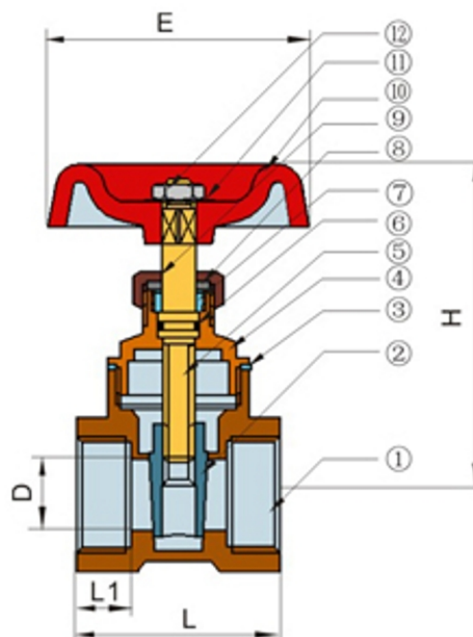


BRASS GATE VALVE

Body: Hot Forged Brass

Surface Finish: Shotting

- Working Pressure: 16BAR (1 BAR = 14.5 PSI)
- Working Temperature: -20°C to +180°C
- °C= 5/9 (°F -32)
- °F= 32+9/5°C
- Thread: ISO228(BSP)



| MATERIALS | | |
|-----------|-------------|------------|
| Part No. | Component | Material |
| 1 | Body | Brass |
| 2 | Wedge | Brass |
| 3 | Seal | PTFE |
| 4 | Bonnet | Brass |
| 5 | Stem | Brass |
| 6 | O-Ring | NBR |
| 7 | Ring Nut | Brass |
| 8 | Gasket | PTFE |
| 9 | Stem Ring | Brass |
| 10 | Handle | Cast Steel |
| 11 | Rating Disc | Aluminium |
| 12 | Nut | Steel |

| DIMENSIONS | | | | | | |
|--------------|-----|------|----|----|-----|-----|
| Nominal Size | | ØD | L | L1 | H | E |
| Inch | MM | | | | | |
| 1/2" | 15 | 12.5 | 45 | 12 | 69 | 54 |
| 3/4" | 20 | 15.5 | 46 | 13 | 75 | 54 |
| 1" | 25 | 21 | 52 | 14 | 85 | 58 |
| 1 1/4" | 32 | 27 | 56 | 15 | 101 | 72 |
| 1 1/2" | 40 | 32.5 | 58 | 16 | 105 | 72 |
| 2" | 50 | 42 | 66 | 17 | 127 | 78 |
| 2 1/2" | 65 | 55 | 76 | 21 | 157 | 98 |
| 3" | 80 | 66 | 82 | 22 | 184 | 108 |
| 4" | 100 | 84 | 97 | 25 | 228 | 126 |