

Bronze Adjustable Safety Valve S10T



Safety Valve Application:

The safety valves are used in oil system, high-temperature pipes and various caustic piping systems.

Operating Principle:

After installing in the piping system, the safety valve will work automatically when the pressure of medium in the system is reaching to the set value. It releases pressure to protect the system.

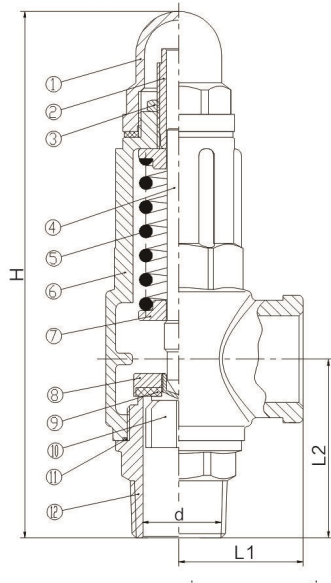
Technical Parameters:

Operating pressure: 0.1 ~ 35Bar.

Operating temperature:

Sealing: -20 ~ 180°C, RPTFE Sealing: -60 ~ 220°C

Sealing: -60 ~ 170°C, EPDM Sealing: -40 ~ 110°C



General material

No.	Name	S10T
1	Cap	CW617N
2	Adjust Screw	CW617N
3	Nut	CW617N
4	Spindle	CW617N
5	Spring	SS304
6	Valve Body	BRONZE
7	Spring Seat	CW617N
8	Disc	CW617N
9	Gasket	PTFE/FKM/EPDM/RPTFE
10	Buffer	CW617N
11	Gasket Ring	PTFE
12	Valve Seat	CW617N

Dimension

Inlet	d	Outlet	Lift	L1	L2	H
3/8"	10	3/8"	0.4	27	38	117
1/2"	13	1/2"	0.5	31	48	135
3/4"	19	3/4"	0.7	35	55	144
1"	25	1"	0.9	39.5	65	175
1"1/4	32	1"1/4	1.2	50.5	75	197
1"1/2	37	1"1/2	1.4	59	86	223
2"	47	2"	1.8	67	100	257

Unit: mm