

BS FLANGED FLEXIBLE RUBBER JOINT WITH SINGLE SPHERE

Type: XTQ1RF

Doc No: DS-902-XTQ1RF-01-C

1.0 PRODUCT OVERVIEW

The Flexible Rubber Joint Single Sphere is composed of fabric reinforced rubber and metal flange, which is used for vibration and noise reduction, and displacement compensation.



Dimensions:

1 1/4"(DN32)-24"(DN600)

Design Standard:

GB/T 26121

Connection Standard:

BS EN 1092-2

Working Pressure:

PN16, PN10

Application:

The Flexible Rubber Joint Single Sphere is mainly applied in the waterworks system, the working temperature is -10°C-100°C.

Material of Matching Products:

Steel flange: EN 1092-1

Ductile iron flange: EN 1092-2

Surface Treatment:

Sign Off:

Owner: _____ Contractor: _____ Engineer: _____
Location: _____ Date: _____ Approved & Date: _____

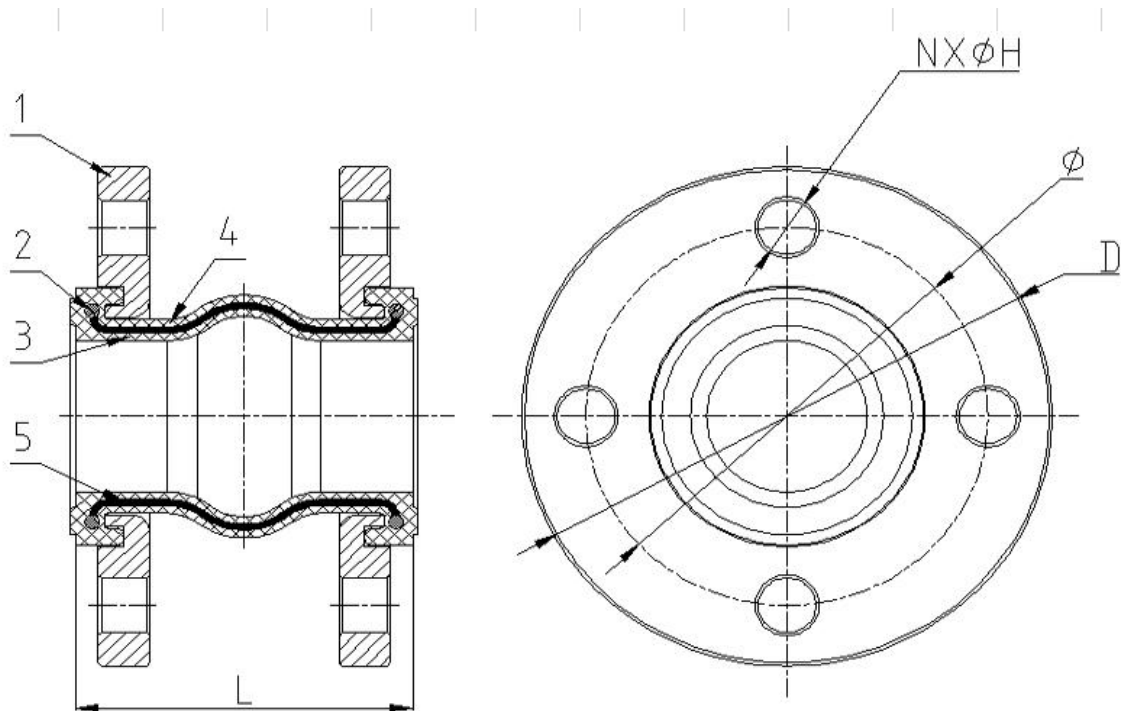
- Electroplated zinc flange
- Others would be available upon clients' detailed request

2.0 APPROVALS

NSF/ANSI 61

3.0 SPECIFICATIONS

Product Sketch:



Part NO.	PART	Standard Specification	Options
1	Flange	Galvanized Carbon Steel	
2	Reinforcing Ring	Carbon Steel	
3	Rubber (Inner)	EPDM	
4	Rubber (Outer)	EPDM	
5	Reinforcing Fabric	Nylon Fabric	

4.0 尺寸和性能 DIMENSIONS AND PERFORMANCE

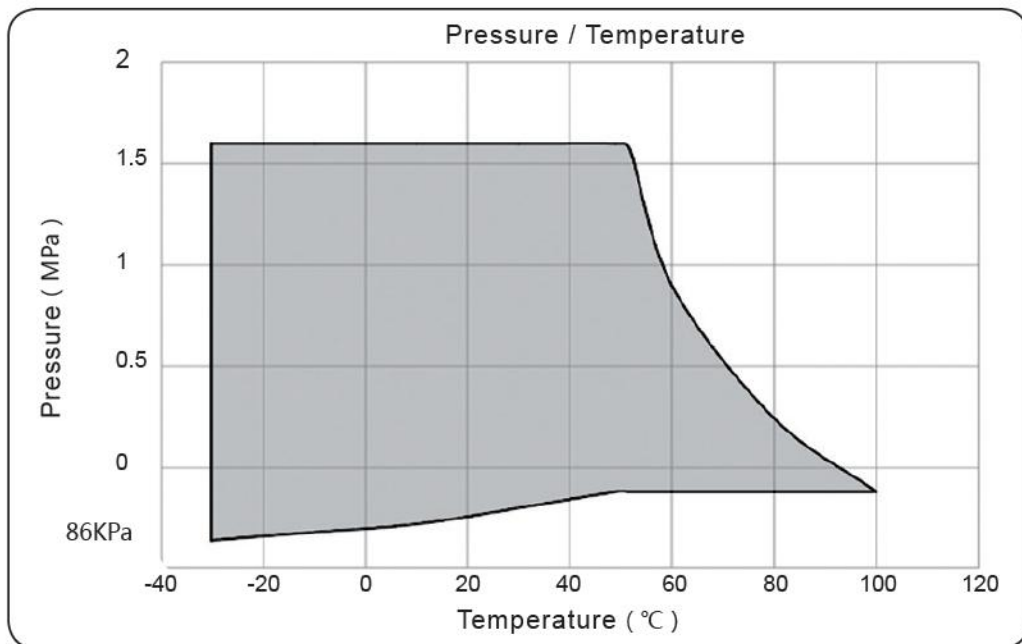
Sign Off:

Owner: _____ Contractor: _____ Engineer: _____
 Location: _____ Date: _____ Approved & Date: _____

4.1 Dimensions

DN		Neutral Length(mm)				Axial(mm)		Transverse Movement(mm)	Angular Deflection Deg.
inch	mm	L	D	Ø	N-ØH	Elongation	Compression		
1 1/4"	32	95	140	100	4X18	6	10	10	25
1 1/2"	40	95	150	110	4X18	6	10	10	25
2"	50	105	165	125	4X18	6	10	10	25
2 1/2"	65	115	185	145	8X18	8	15	12	25
3"	80	135	200	160	8X18	8	15	12	25
4"	100	150	220	180	8X18	12	20	16	15
5"	125	165	250	210	8X18	12	20	16	15
6"	150	180	285	240	8X22	12	20	16	15
8"	200	210	340	295	12X22	12	20	16	15
10"	250	230	405	355	12X26	14	30	25	8
12"	300	230	460	410	12X26	14	30	25	8
14"	350	265	520	470	12X26	14	30	25	8
16"	400	265	580	525	16X30	14	30	25	8
18"	450	265	640	585	20X30	14	30	25	8
20"	500	265	715	650	20X33	14	30	25	8
24"	600	265	840	770	20X36	14	30	25	8

4.2 Temperature and Pressure Curve



Sign Off:

Owner: _____ Contractor: _____ Engineer: _____
 Location: _____ Date: _____ Approved & Date: _____



玫德集团有限公司

JINAN MEIDE CASTING CO., LTD

5.0 REFERENCE MATERIALS

Approved certification for Flexible Rubber Joint

Installation Instructions for Flexible Rubber Joint Single Sphere

Sign Off:

Owner: _____ Contractor: _____ Engineer: _____
Location: _____ Date: _____ Approved & Date: _____