

BS FLEXIBLE RUBBER JOINT TWIN SPHERE UNION-SCREW END

Type: XTQ2L

Doc No: DS-922-XTQ2L-01-E-S

1.0 PRODUCT OVERVIEW

Flexible Rubber Joint Twin Sphere is composed of a fabric-reinforced rubber member and two malleable iron unions, which is a joint for vibration isolation and compensation of displacement of the pipeline.



Dimensions:

1/2" (DN15)-3" (DN80)

Design Standard:

GB/T 26121

Connection Standard:

ISO7-1

Working Pressure:

PN16, PN10

Application:

Flexible Rubber Joint is an important component of the Waterworks system. The operating temperature range is $-0^{\circ}\text{C} \sim 80^{\circ}\text{C}$.

Material of Matching Products:

Steel Pipe Nipple

Material: Carbon Steel.

Sign Off:

Owner: _____ Contractor: _____ Engineer: _____
Location: _____ Date: _____ Approved & Date: _____

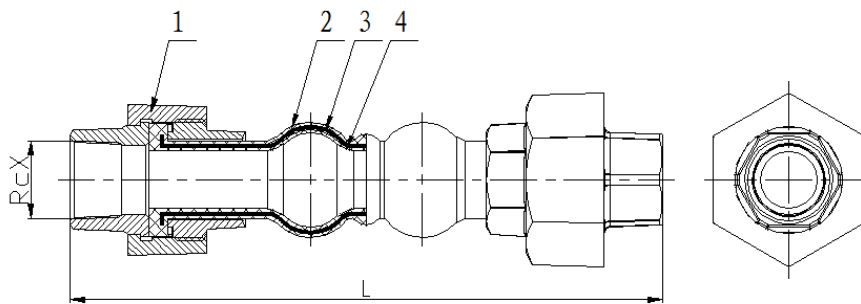
Standard: ISO 7-1

2.0 APPROVALS



3.0 SPECIFICATIONS

Product Sketch:



Part No.	Part	Standard Specification	Options
1	Union	Malleable iron	
2	Rubber (Outer)	EPDM	NBR
3	Reinforcing Fabric	Nylon Fabric	
4	Rubber (Inner)	EPDM	NBR

4.0 DIMENSIONS AND PERFORMANCE

4.1 Dimensions

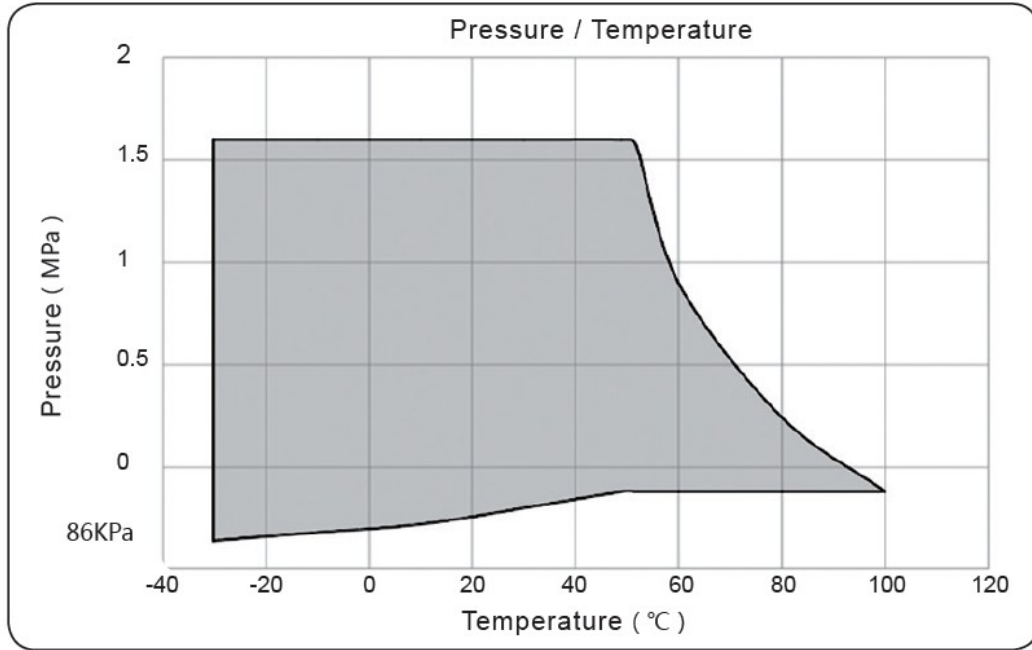
DN		Neutral Length(MM)	Thread	AXIAL(MM)		TRANSVERSE MOMENT (MM)	ANGULAR DEFLECTION DEG
INCH	MM	L	Rc X	Elongation	Compression		
1/2"	15	200	Rc 1/2	6	22	22	40
3/4"	20	200	Rc 3/4	6	22	22	40
1"	25	200	Rc 1	6	22	22	40
1 1/4"	32	200	Rc 1 1/4	6	22	22	40
1 1/2"	40	200	Rc 1 1/2	6	22	22	40
2"	50	200	Rc 2	6	22	22	40

Sign Off:

Owner: _____ Contractor: _____ Engineer: _____
 Location: _____ Date: _____ Approved & Date: _____

2 1/2"	65	240	Rc 2 1/2	6	22	22	40
3"	80	240	Rc 3	6	22	22	40

4.2 Pressure and Temperature Characteristics table



4.3 Strength Testing

Shell Test pressure: .2.4MPa.

5.0 REFERENCE MATERIALS

Approved certification for Rubber Joint

Sign Off:

Owner: _____ Contractor: _____ Engineer: _____
 Location: _____ Date: _____ Approved & Date: _____