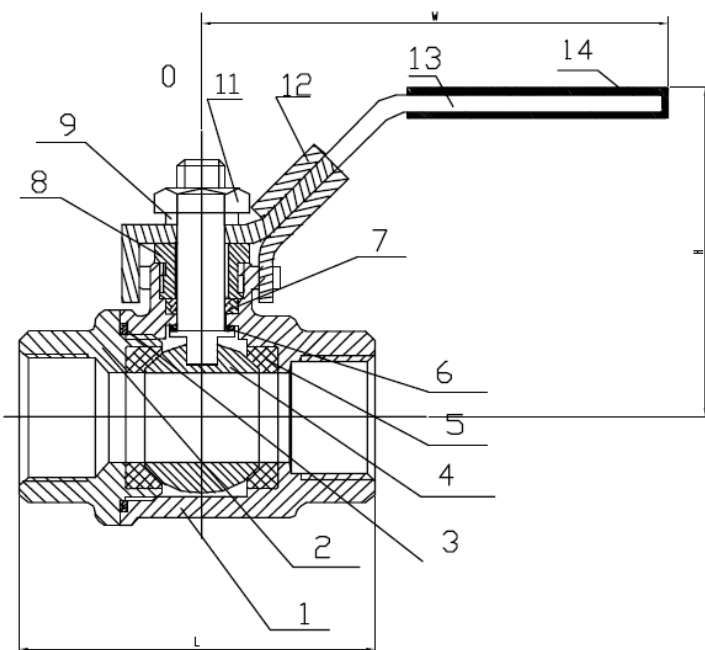


2-PIECE STAINLESS STEEL BALL VALVE



2"	115	163	102
1 1/2"	100	155	95
1"	94	142	75
3/4"	79	120	65
1/2"	66	115	60
1/4"	57	100	54
1/2"	53	96	49
1/4"	52	92	46
NPS	L	W	H

8	GLAND NUT	SS304			
7	STEM PACKING	PTFE			
6	THRUST WASHER	PTFE	14	PLASTIC COVER	PLASTIC
5	SEAT	PPTFE	13	HANDLE	SS201
4	BALL	SS304	12	LOCK	SS201
3	JOINT GASKET	PTFE	11	STEM NUT	SS304
2	CAP	A351 CF8	10	STEM	SS304
1	BODY	A351 CF8	9	STEM WASHER	SS304
No.	PART NAME		No.	PART NAME	