

## BS/DIN WAFER BUTTERFLY VALVE WITH TAMPER SWITCH

Type: XD371X Doc No: DS-902-XD371X-02-E-X

### 1.0 PRODUCT OVERVIEW

The wafer butterfly valve is simple, with compact and 90° slewing crane structure, it's mainly used for low pressure pipeline with tamper switch.



#### Dimensions:

2"(DN50)-12"(DN300)

#### Design Standard:

EN 593

#### Connection Standard:

EN 1092-2 PN10/PN16

#### Working Pressure:

PN16, PN10

#### Application:

The wafer butterfly valve with tamper switch is an important component of the fire protection system. The operating temperature range is 0°C-80°C.

#### Material of Matching Products:

- 1) Ductile Iron Adaptor Flange, like MECH type 321G,  
Material: EN-GJS-450-10.

#### Sign Off:

Owner: \_\_\_\_\_ Contractor: \_\_\_\_\_ Engineer: \_\_\_\_\_  
Location: \_\_\_\_\_ Date: \_\_\_\_\_ Approved & Date: \_\_\_\_\_

Standard: EN 1092-2

2) Steel Flange

Material: Carbon Steel

Standard: EN1092-1

**Surface Treatment:**

- Epoxy power painting (color numbers as RAL3000, etc)
- Painting (color numbers as RAL3000, etc)
- Others would be available upon clients'detailed request

**2.0 APPROVALS**

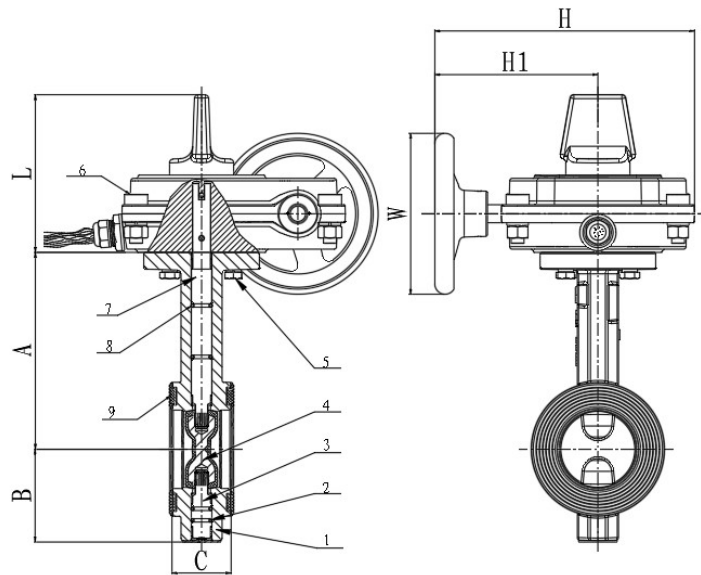


RoHS



**3.0 SPECIFICATIONS**

**Product Sketch:**



Part No.	Part	Standard Specification	Options
1	Body	EN-GJS-450-10	
2	O-Ring	NBR	EPDM
3	Stub Shaft	AISI 431	
4	Disc	EN-GJS-450-10+EPDM	EN-GJS-450-10+NBR

**Sign Off:**

Owner: \_\_\_\_\_ Contractor: \_\_\_\_\_ Engineer: \_\_\_\_\_  
 Location: \_\_\_\_\_ Date: \_\_\_\_\_ Approved & Date: \_\_\_\_\_

5	Hex Nut	Carbon Steel Zinc plated	
6	Signal Gearbox	Body: EN-GJS-450-10	
7	Drive Shaft	AISI 431	
8	O-Ring	NBR	EPDM
9	End Face Seal	EPDM	NBR

## 4.0 DIMENSIONS AND PERFORMANCE

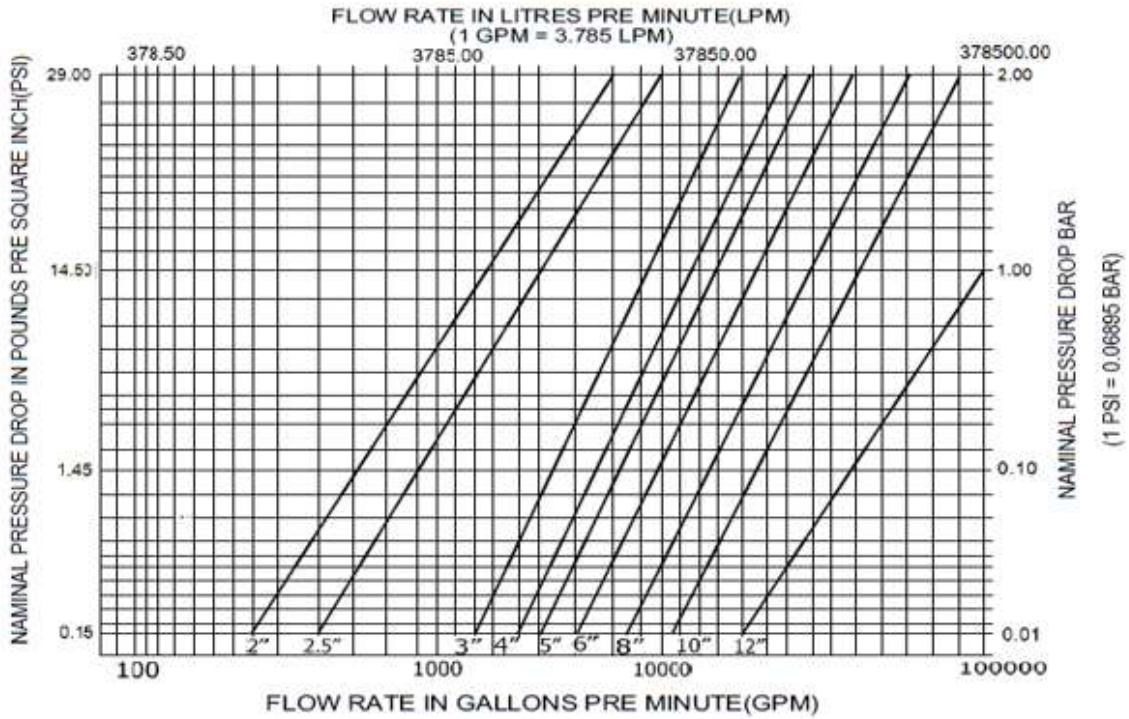
### 4.1 Dimensions

DN		Dimension(mm)							
Inch	mm	A	B	C	L	H1	H	ΦW	ISO5211
2"	50	140.5	65	43	122.5	127	202.2	125	F07
2.5"	65	153	71	46	122.5	127	202.2	125	F07
3"	80	157.5	81	46	122.5	127	202.2	125	F07
4"	100	176	95	52	122.5	127	202.2	125	F07
5"	125	191	111	56	122.5	127	202.2	125	F07
6"	150	202.5	133	56	122.5	139.5	215	225	F07
8"	200	243.5	164	60	122.5	198.5	274	225	F10
10"	250	273	196	68	122.5	198.5	274	225	F10
12"	300	311	226	78	132	202	293.5	225	F10

### 4.2 Flow rates

**Sign Off:**

Owner: \_\_\_\_\_ Contractor: \_\_\_\_\_ Engineer: \_\_\_\_\_  
 Location: \_\_\_\_\_ Date: \_\_\_\_\_ Approved & Date: \_\_\_\_\_



### 4.3 Strength

Shell Test: 2 times of working pressure .  
 Seal Test: 2 times of working pressure.  
 Cycle Test: 1000 cycles.

### 5.0 REFERENCE MATERIALS

Approved certification for Butterfly Valve

**Sign Off:**

Owner: \_\_\_\_\_ Contractor: \_\_\_\_\_ Engineer: \_\_\_\_\_  
 Location: \_\_\_\_\_ Date: \_\_\_\_\_ Approved & Date: \_\_\_\_\_