

BS/DIN GROOVED BUTTERFLY VALVE WITH TAMPER SWITCH

Type: XD381X

Doc No: DS-902-XD381X-01-E-X

1.0 PRODUCT OVERVIEW

The grooved butterfly valve is simple, with compact and 90° slewing crane structure, it's mainly used for low pressure pipeline with tamper switch.



Dimensions:

2"(DN50)-12"(DN300)

Design Standard:

BS EN 593, DIN EN 593

Connection Standard:

ISO 6182, AWWA C606

Top Flange Standard

ISO 5211

Working Pressure:

PN16, PN10

Application:

The butterfly valve is an important component of the fire protection system. The operating temperature range is 0°C-80°C.

Material of Matching Products:

Ductile iron Grooved Coupling, like MECH type 1N, 1NS, 1G, 1GS

Sign Off:

Owner: _____ Contractor: _____ Engineer: _____
Location: _____ Date: _____ Approved & Date: _____

Material: EN-GJS-450-10.
Standard: ISO6182, AWWA C606

Surface Treatment:

- Epoxy power painting (color numbers as RAL3000RAL3011, etc)
- Painting (color numbers as RAL3000, etc)
- Others would be available upon client's detailed request

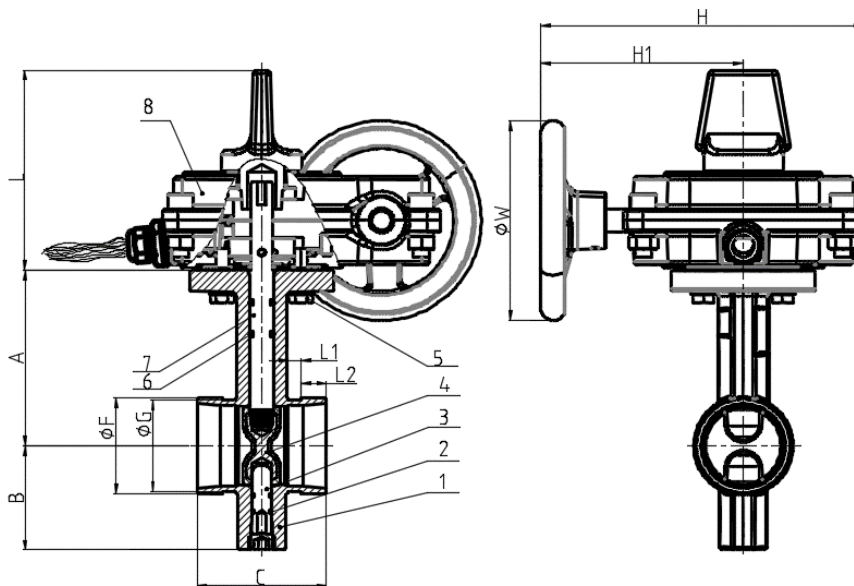
2.0 APPROVALS



RoHS NSF/ANSI 61 NSF/ANSI 372

3.0 SPECIFICATIONS

Product Sketch:



Part No.	Part	Standard Specification	Options
1	Valve Body	EN-GJS-450-10	
2	O-Ring	NBR	EPDM
3	Stub Shaft	Stainless Steel	AISI 304, AISI 316, AISI 420, AISI 431
4	Disc	EN-GJS-450-10+ EPDM	EN-GJS-450-10+ NBR
5	Bolt	Carton Steel Zinc Plated	
6	O-Ring	NBR	EPDM
7	Drive Shaft	Stainless Steel	AISI 304, AISI 316, AISI 420, AISI 431
8	Gearbox	EN-GJS-450-10	

Sign Off:

Owner: _____ Contractor: _____ Engineer: _____
Location: _____ Date: _____ Approved & Date: _____

4.0 DIMENSIONS AND PERFORMANCE

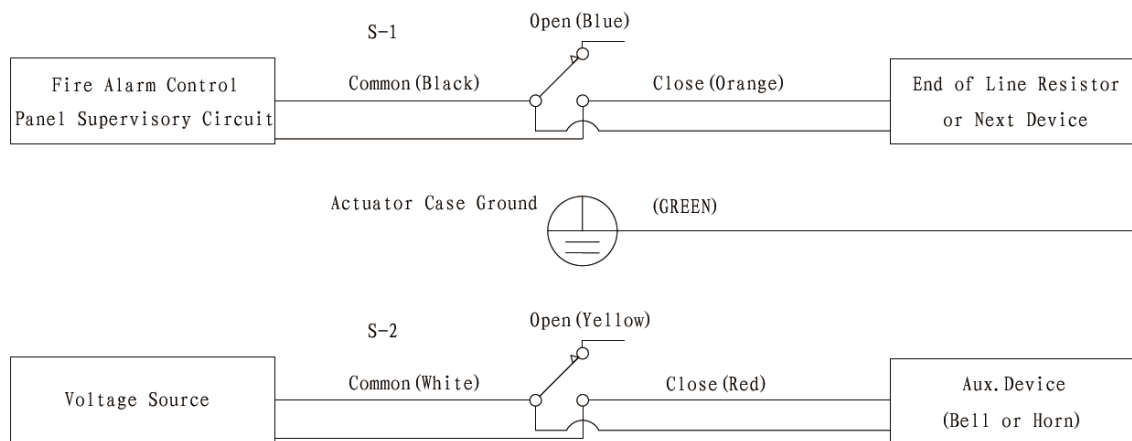
4.1 Dimension

DN		Dimension(mm)											
Inch	mm	A	B	C	ΦF	ΦG	L	L1	L2	H1	H	ΦW	ISO5211
2"	50	89	65.00	81.00	60.3	57.15	122.5	7.93	15.88	127	202.2	125	70
2.5"	65	102	71	97	73.0	69.09	122.5	7.93	15.88	127	202.2	125	70
2.5"	65	102	71	97	76.1	69.09	122.5	7.93	15.88	127	202.2	125	70
3"	80	109	81	97	88.9	84.94	122.5	7.93	15.88	127	202.2	125	70
4"	100	128	95	116	114.3	110.08	122.5	9.53	15.88	127	202.2	125	70
5"	125	141	111	148	139.7	137.03	122.5	9.53	15.88	127	202.2	125	70
5"	125	141	111	148	141.3	137.03	122.5	9.53	15.88	127	202.2	125	70
6"	150	153	133	148	165.1	163.96	122.5	9.53	15.88	139.5	215	225	70
6"	150	153	133	148	168.3	163.96	122.5	9.53	15.88	139.5	215	225	70
8"	200	184	164	133	219.1	214.40	122.5	11.10	19.05	198.5	274	225	102
10"	250	216	196	159	273.1	268.28	122.5	12.70	19.05	198.5	274	225	102
12"	300	254	226	165	323.9	318.29	132.0	12.70	19.05	202	297.5	225	102

4.2 Switch wiring diagram

Switch parameter: 16A 125/250VAC

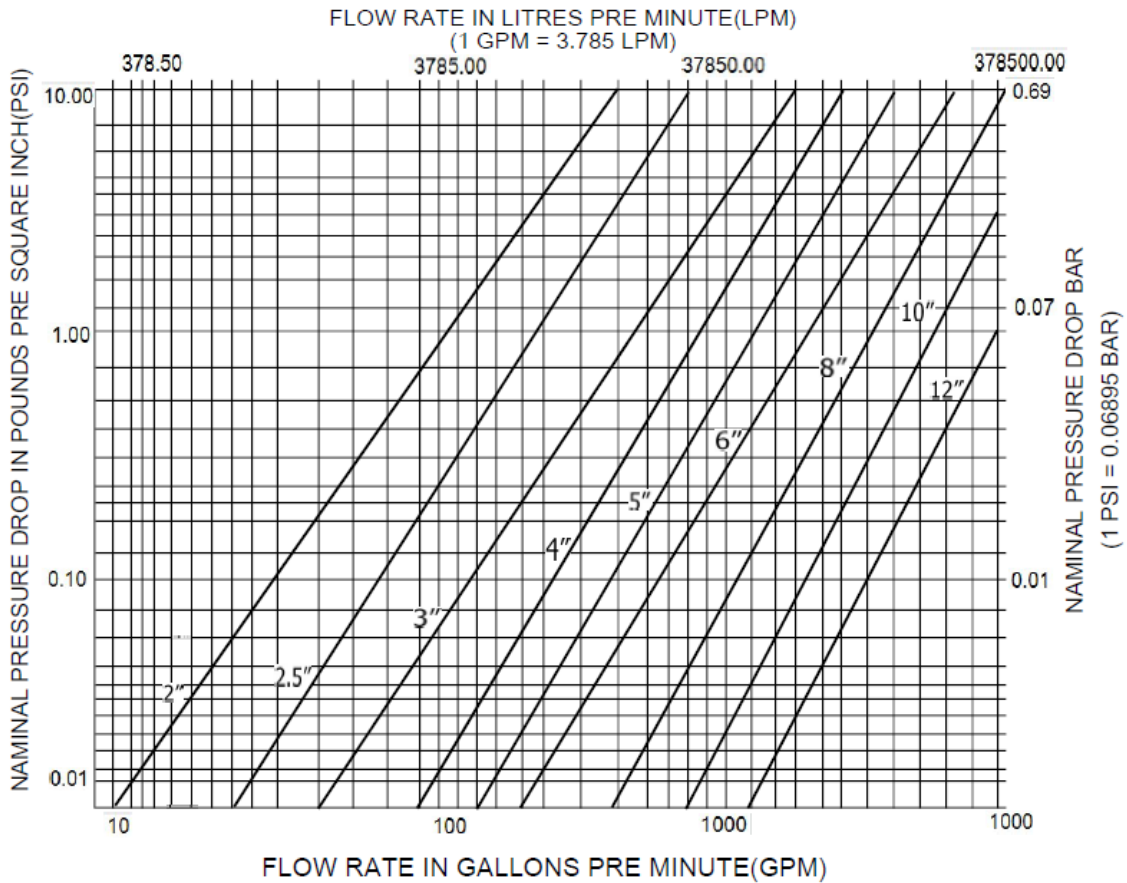
Diagram:



4.3 Flow rates

Sign Off:

Owner: _____ Contractor: _____ Engineer: _____
 Location: _____ Date: _____ Approved & Date: _____



4.4 Strength & Cycle Testing

Shell Test: 3.2MPa.
 Seal Test: 3.2MPa .
 Cycle Test: 1000 cycles.

5.0 REFERENCE MATERIALS

Approved certification for Butterfly Valve

Sign Off:

Owner: _____ Contractor: _____ Engineer: _____
 Location: _____ Date: _____ Approved & Date: _____