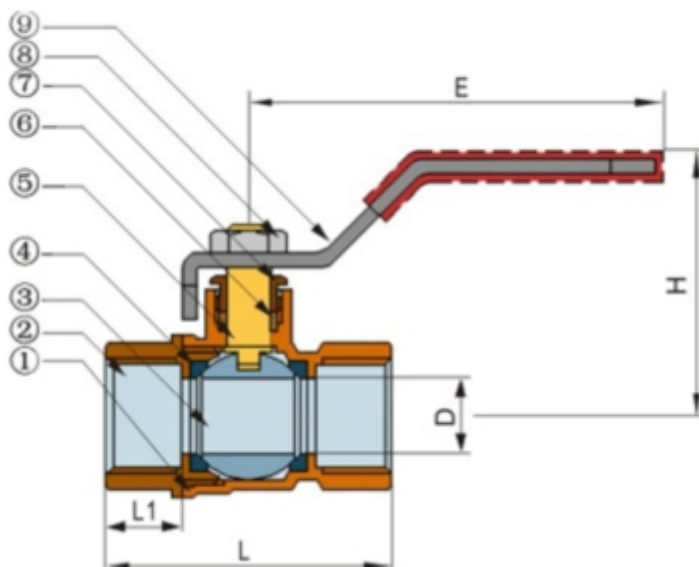


## BRASS BALL VALVE

Body: Hot Forged Brass

Surface Finish: Nickel-Plated

- Working Pressure: 25BAR (1 BAR = 14.5 PSI)
- Working Temperature: -20°C to +120°C
- °C = 5/9 (°F - 32) °F = 32 + 9/5 °C
- Thread: ISO228 (BSP)



| MATERIALS |             |          |
|-----------|-------------|----------|
| Part No.  | Component   | Material |
| 1         | Body        | Brass    |
| 2         | End Piece   | Brass    |
| 3         | Ball        | Brass    |
| 4         | Seat        | PTFE     |
| 5         | Stem        | Brass    |
| 6         | Gasket      | PTFE     |
| 7         | Gland Screw | Brass    |
| 8         | Nut         | Brass    |
| 9         | Handle      | Steel    |

| DIMENSIONS   |     |    |       |      |     |     |
|--------------|-----|----|-------|------|-----|-----|
| Nominal Size |     | ØD | L     | L1   | H   | E   |
| Inch         | MM  |    |       |      |     |     |
| 1/4"         | 8   | 8  | 42    | 11   | 46  | 80  |
| 3/8"         | 10  | 10 | 46    | 12   | 46  | 80  |
| 1/2"         | 15  | 14 | 52    | 14   | 49  | 88  |
| 3/4"         | 20  | 19 | 58    | 14   | 58  | 95  |
| 1"           | 25  | 23 | 66    | 15   | 67  | 117 |
| 1 1/4"       | 32  | 31 | 75    | 15   | 71  | 117 |
| 1 1/2"       | 40  | 39 | 85.5  | 15.5 | 91  | 140 |
| 2"           | 50  | 49 | 102   | 18.5 | 98  | 140 |
| 2 1/2"       | 65  | 58 | 118.5 | 21.5 | 104 | 250 |
| 3"           | 80  | 70 | 141   | 23.5 | 115 | 250 |
| 4"           | 100 | 86 | 160   | 24   | 127 | 250 |