

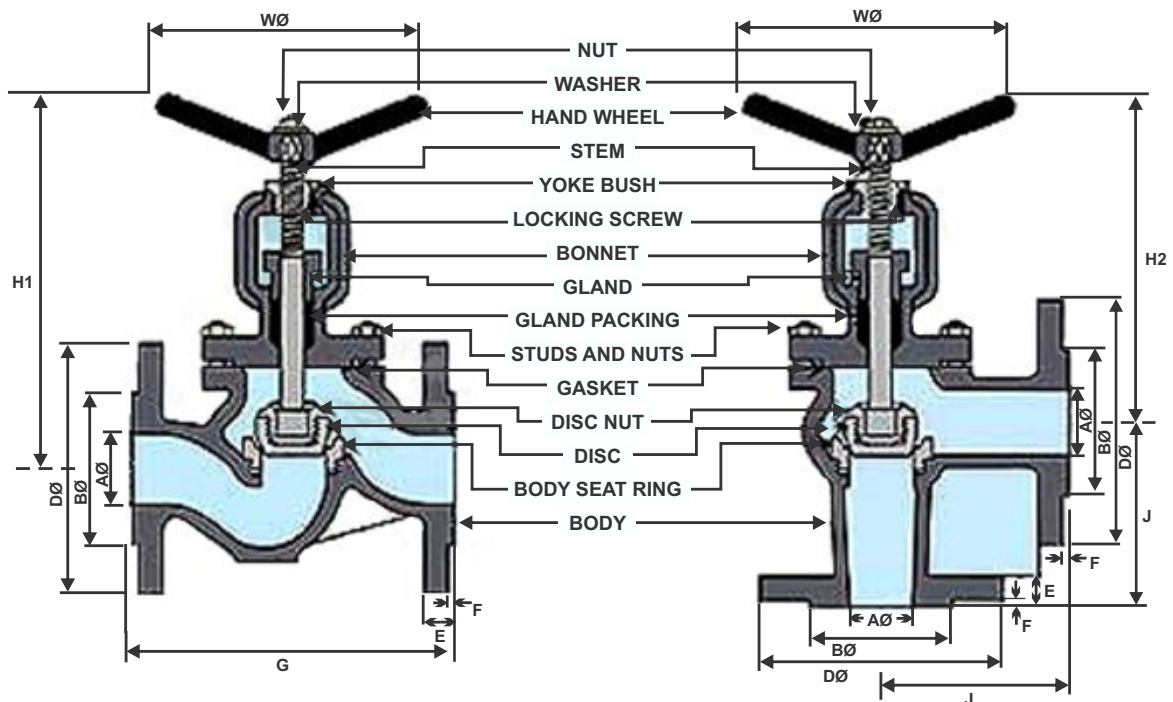
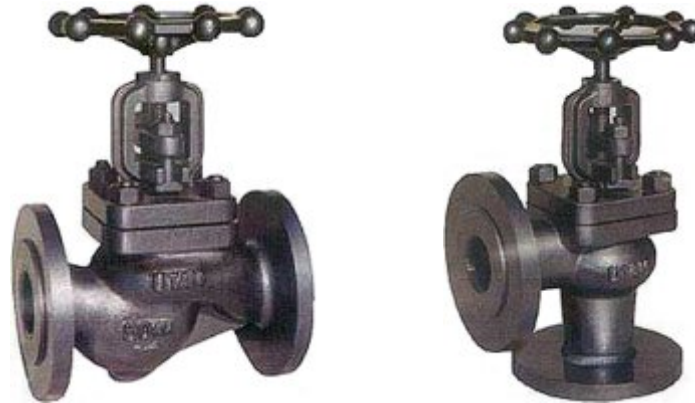


GLOBE VALVE - FLANGED CAST IRON

CAST IRON

GLOBE STEAM STOP VALVE : IBR CERTIFIED

Bolted Bonnet outside screw & yoke type Renewable Seat Rising Stem with Back Seat Arrangement, Full Flow Area, Hand Wheel Operated.
 Conforming to BS: 5152 / Din 86251



MATERIALS

Components	Material	Standard
Body, Bonnet, Gland, Hand wheel	Cast Iron	IBR 86 to 93 Gr. A
Stem, Disc Nut, Disc, Body Seat Ring	Stainless Steel	AISI-410
Gasket	CAF	IS: 2712
Gland Packing	Graphited Asbestos	-
Bolts, Nuts, Studs, Washers	Carbon Steel	-
Yoke Bush	Aluminium Bronze	-



GLOBE VALVE - FLANGED CAST IRON

END FLANGES & PRESSURE TEMPERATURE RATINGS

Nominal Size mm	Nominal Pressure Bar (PN)	Flanged Ends		Maximum Permissible Gauge Working Pressure In Bar At Temperature (°C) Of					Hydraulic Test Pressure Bar	
		BS: 4504 Part 1 Table No.	Din	-10 To 120	150	180	200	220	Body	Seat
15 to 150	16	16/11	2533	16	14.8	13.9	13	13	26	16
15 to 150	16	16/11	2532	16	14.8	13.9	13	13	26	16

1 Bar = 1.02Kg/cm²

DIMENSIONS

Nominal Size		AØ	BØ	DØ	E	F	G	H1	H2	J	W Ø	PCD	No. Of Holes	Dia Of Holes
MM	Inch													
15	½"	15	45	95	14	2	130	162	150	90	100	65	4	14
20	¾"	20	58	105	16	2	150	165	150	95	100	75	4	14
25	1"	25	68	115	16	2	160	175	155	100	125	85	4	14
32	1-1/4"	32	78	140	18	2	180	205	185	105	125	100	4	18
40	1-1/2"	40	88	150	18	3	200	222	190	115	160	110	4	18
50	2"	50	102	165	20	3	230	225	195	125	160	125	4	18
65	2-1/2"	65	122	185	20	3	290	275	240	145	200	145	4	18
80	3"	80	138	200	22	3	310	305	265	155	200	160	8	18
100	4"	100	158	220	24	3	350	350	305	175	250	180	8	18
125	5"	125	188	250	26	3	400	425	370	200	250	210	8	18
150	6"	150	212	285	26	3	480	485	430	225	315	240	8	23
200	8"	200	268	340	26	3	600	595	480	275	400	295	8	23