



RESILIENT SEATED BUTTERFLY VALVES (DISC WITH PIN)



ISO 9002
CERTIFIED



RESILIENT SEATED BUTTERFLY VALVES (DISC WITH PIN)

Features

MAIN FEATURES

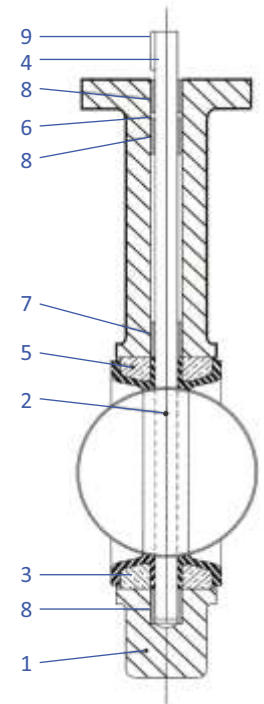
- RELIABLE:** Bubble tight shut-off after thousands of operations.
- OPERATION:** Liner bonded to a rigid backing to eliminate seat distortion and reduce seating torque.
- ECONOMICAL:** Low mass - easy installation between flanges - needs no gaskets.
- EFFICIENT:** Quarter-turn operation plus stream-lined disc for low pressure loss.
- ADAPTABLE:** Available with ratchet handlever, worm gearbox, pneumatic, electric, actuators.
- REPAIRABLE:** Liner cartridge slides out of body, is easily replaced on site.

HAND LEVER OPERATED - Lever has 10 lock positions.
Lever indicates disc position. Valve sizes DN.50 - DN.300.

WORMGEAR OPERATED - Infinite positions 0° - 90°
Top indicator shows disc position. Adjustable end limit stops. Valve sizes DN.50 - DN.600.

Bill of Materials

Part Name	Materials	Optional Materials
1. Body	Grey Cast Iron, 50-300mm. Standard ASTM A126 Grade B. DIN1691 GG25, 350-500mm	Ductile Cast Iron. Stainless Steel WCB
2. Disc	Ductile Cast Iron, Nickel plated Standard ASTM A536 65-45-12, DIN1693 GGG40	Stainless Steel ASTM CF8M CF8 AL-BZ ASTM C954
3. Seat	Buna-N or EPDM	PTFE, Viton, Neoprene, Hypalon
4. Shaft	Stainless Steel Standard ASTM 410	Carbon Steel
5. Pin	Stainless Steel Standard ASTM 410	No option
6. "O" Ring	Buna - N or EPDM	No option
7. Backing Ring	Phenolic	No option
8. Bushing	PTFE	Lubricated Bronze
9. Key	Carbon Steel	No option

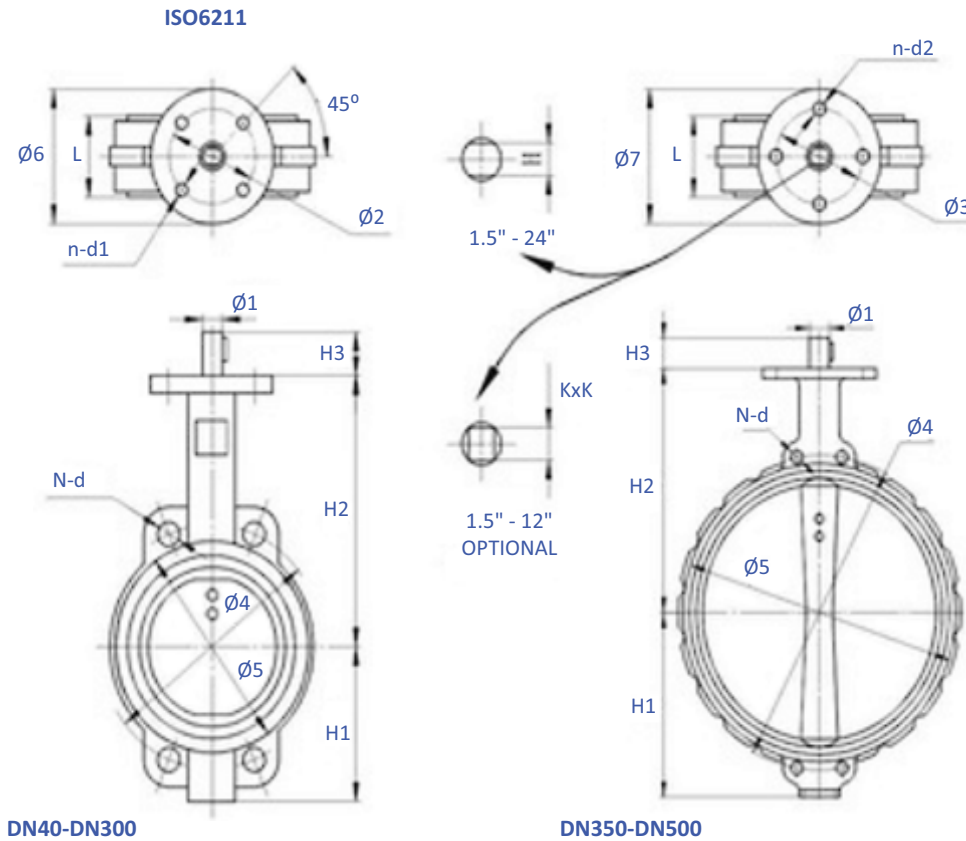


Seat Temperature Ratings

Material	Buna-N	Abrasive Resistant Buna-N	Neoprene	EPDM		EPDM Food Grade	Hypalon	Viton	High Temp Viton	PTFE over Buna-N		
				EPDM 2"-16"	EPDM ≥18"					75PSI 2"-12"	125PSI 2"-12"	
Temperature Ratings	°C	-12-82	-12-82	-7-93	-35-135	-35-110	-35-110	-32-135	-12-135	-12-382	4.4-135	4.4-121
	°F	10-180	10-180	20-200	-30-275	-30-225	-30-225	0-275	10-275	10-400	40-275	40-250

Seat materials are capable of withstanding lower temperatures without damage. However, the elastomer becomes hard and torques increase. Some flow media may further restrict the published temperature limits or significantly reduce seat life. Please note that valve pressure rating will be derated with High Temp Viton Seats at temperatures greater than 275°F.

Dimensions



Size		H1	H2	H3	L	Ø1	Ø2	Ø3	Ø4						Ø5	Ø6	Ø7	N	d						n-d1	n-d2	H	K
mm	inch								ANSI B16.1	PN10	PN16	5K	10K	16K					ANSI	PN10	PN16	5K	10K	16K				
40	1.5"	60	130	32	36	12.7	50	57.15	98.5	110	110	95	105	105	82	70	80	4	15.87	18	18	15	19	19	4-7	4-6.8	10	10
50	2"	76	162	32	45	12.7	50	57.15	120.65	125	125	105	120	120	88	70	80	4	17.46	18	18	15	19	19	4-7	4-6.8	10	10
65	2.5"	89	175	32	48	12.7	50	57.15	139.7	145	145	130	140	140	108	70	80	4	17.46	18	18	15	19	19	4-7	4-6.8	10	10
80	3"	95	181	32	49	12.7	50	57.15	152.4	160	160	145	150	160	118	70	80	4	17.46	18	18	19	19	23	4-7	4-6.8	10	10
100	4"	114	200	32	55	15.9	70	69.85	190.5	180	180	165	175	185	156	90	90	4	17.46	18	18	19	19	23	4-9.5	4-10.3	12	12
125	5"	127	213	32	58	19	70	69.85	215.9	210	210	200	210	225	181	90	90	4	20.64	18	18	19	23	25	4-9.5	4-10.3	14	16
150	6"	140	225	32	59	19	70	69.85	241.3	240	240	230	240	260	210	90	90	4	20.64	22	22	19	23	25	4-9.5	4-10.3	14	16
200	8"	177	260	45	64	22.2	102	88.9	298.45	295	295	280	290	305	260	125	120	4	20.64	22	22	23	23	25	4-11.5	4-14.3	17	16
250	10"	203	292	45	70	28.6	102	88.9	361.95	350	355	345	355	380	321	125	120	4	23.81	22	26	23	25	27	4-11.5	4-14.3	22	24
300	12"	242	337	45	80	31.7	102	107.95	431.8	400	410	390	400	430	384	140	140	4	23.81	22	26	23	25	27	4-11.5	4-14.3	24	24
350	14"	267	368	45	80	31.7	102	107.95	476.25	460	470	435	445	480	400	140	140	4	26.98	22	26	25	25	33	4-11.5	4-14.3	24	-
400	16"	298	400	51	90	33.34	165	158.75	539.75	515	525	495	510	540	465	210	197	4	26.98	26	30	25	27	33	4-22.2	4-20.8	27	-
450	18"	318	422	51	109	38	165	158.75	577.85	565	585	555	565	605	514	210	197	4	31.75	28	30	25	27	33	4-22.2	4-20.6	27	-
500	20"	349	479	64	135	41.15	165	158.75	635	620	650	605	620	660	559	210	197	4	31.75	26	33	25	27	33	4-22.2	4-20.6	32	-



RESILIENT SEATED BUTTERFLY VALVES (DISC WITH PIN)

Test Pressures

Body Test	DN50 - DN300: 2.4MPa	DN350 - DN500: 1.6MPa
Seat Test	DN50 - DN300: 1.76MPa	DN350 - DN500: 1.1MPa
Working Pressure	DN50 - DN300: 1.0 - 1.6MPa	DN350 - DN500: 1.0MPa

Flow Charts

